

## BEFORE YOU BEGIN

- Please read these instructions carefully to familiarize yourself with the required tools, materials, and installation sequences. Follow the sections that pertain to your particular installation. This will help you avoid costly mistakes. In addition to proper installation, read all operating and safety instructions.
- All information in these instructions is based upon the latest product information available at the time of publication. Kohler China reserves the right to make changes in product characteristics, packaging, or availability at any time without notice.
- These instructions contain important care, cleaning, and warranty information - **please leave instructions for the consumer.**

## 安装之前

- 请小心详阅本指引。以便熟悉所需工具、材料及安装程序。请遵照适用的章节来安装你的座便器，以避免由于安装不当而导致不必要的损失。除了有关正确的安装方法之外，还务请详阅所有操作及安全指引。
- 本指引所载之一切资料，均以印刷时所有之最新产品情况为基础，科勒中国保留权利随时更改产品特性、包装或供应情况，恕不另行通知。
- 本指引也包含了有关护理、清洁及保养等重要资料 - 请交予用户保存。

## ORDERING INFORMATION

REACH Skirted 2PC Toilet 305mm, 4.2L .....K-P43834T-ZS  
Includes REACH Skirted 2PC Bowl 305mm...K-P3836T-M4  
Includes REACH Skirted 2PC Tank  
305mm .....K-P24865T-ST3  
Includes REACH QC Seat (PJT+MP) Pack,  
5PCs .....K-P26824T  
REACH Skirted 2PC Toilet 400mm, 4.2L .....K-P44073T-ZS  
Includes REACH Skirted 2PC Bowl 400mm...K-P4074T-M4  
Includes REACH Skirted 2PC Tank  
400mm .....K-P24865T-ST4  
Includes REACH QC Seat (PJT+MP) Pack,  
5PCs .....K-P26824T

## 订购资料

瑞琦丽裙版分体座便器305mm(带缓降盖板) .....K-P43834T-ZS  
含瑞琦丽裙版缸体305mm .....K-P3836T-M4  
含瑞琦丽裙版水箱  
305mm .....K-P24865T-ST3  
含瑞琦座便器缓降盖板  
5P .....K-P26824T  
瑞琦丽裙版分体座便器400mm(带缓降盖板) .....K-P44073T-ZS  
含瑞琦丽裙版缸体400mm .....K-P4074T-M4  
含瑞琦丽裙版水箱  
400mm .....K-P24865T-ST4  
含瑞琦座便器缓降盖板  
5P .....K-P26824T

## NOTES

- Observe all local plumbing and building codes.
- Shut off the water supply.
- Seat post holes are on 140mm centers.
- Ensure that the new drain has the correct roughing-in dimension. This toilet has a 305/400mm roughing-in dimension. **See Roughing-in.**
- Closet flange must be 305/400mm on-center from wall.
- Carefully inspect the new fixture for any sign of damage.
- For new construction, refer to the dimensions in installation step for locating the shut-off valve.
- Fixture dimensions are nominal and conform to tolerances established by ASME Standards (A112.19.2-2018).
- This product complies with Q/KCI-006-2018. Water Efficiency Grade 2.

## 注意

- 遵守当地所有给排水及建筑规定。
- 先关掉水源。
- 盖板孔中心间距140mm。
- 请确保污水管的坑距尺寸正确。本型号坑距为305/400mm(请参阅尺寸图)。
- 座便器法兰盘中心必须距离墙壁305/400mm。
- 小心检验新的座便器是否有损坏的迹象。
- 若为新安装工程，请参看安装步骤中的尺寸标示以定位止水阀。
- 部件尺寸为标定值，误差符合美国ASME标准(A112.19.2-2018)。
- 本产品符合Q/KCI-006-2018。水效等级2级。

No.2 KOHLER ROAD, SANSHUI CENTRAL INDUSTRIAL PARK, LEPING TOWN, SANSHUI DIST., FOSHAN, GUANGDONG, PRC POST CODE: 528137  
广东省佛山市三水区乐平镇三水中心工业园区科勒大道2号 邮编: 528137

8# MENGSHAN RD, ECONOMIC DEVELOPMENT ZONE OF HUANTAI, ZIBO, SHANDONG, CHINA POST CODE: 256410  
山东省淄博市桓台经济开发区蒙山路8号 邮编: 256410

NO.1 KOHLER STREET, ECONOMIC DEVELOPMENT ZONE OF FAKU COUNTY, SHENYANG LIAONING PROVINCE, PRC POST CODE: 110400  
辽宁省沈阳市法库经济开发区科勒大街1号 邮编: 110400

**WARNING: Risk of personal injury or product damage:** Handle vitreous china products very carefully. Vitreous china can break and chip if you overtighten bolts and nuts.

**警告:** 提防身体受伤或产品破裂。请小心处理釉面陶瓷产品。不可把螺母和螺栓上得过紧，以免产品破损或崩裂。

**WARNING: Risk of external leakage.** The fill valve nut has been factory-tightened to design specifications. If re-tightening is required, wrench tighten one turn past finger tight .

**警告:** 有向外渗漏之危险。注水阀螺母在出厂时已上紧以符合设计规格，如需再上紧，可用手上紧后再以扳钳上紧一圈。

## TOOLS AND MATERIALS REQUIRED (Not supplied)

## 所需工具及材料（不随货供应）

- 254mm (10") adjustable wrench
- 305mm (12") pipe wrench
- Metal file (file cut)
- Tape measure
- Tubing cutter
- Level
- Hacksaw
- Putty knife
- Screwdriver
- Toilet gasket (wax seal)
- Toilet T-bolts (2), 8mm (5/16") diameter
- Toilet supply shut-off valve, 10mm(3/8") recommended

- 254mm 活动扳钳
- 305mm 喉管扳钳
- 锉刀
- 卷尺
- 切管刀
- 水平尺
- 钢锯
- 涂油灰刀
- 螺丝刀
- 座便器垫圈（蜡封）
- 直径8mm的T型螺栓（2枚）
- 座便器供水管止水阀，以10mm为准

**NOTICE:** If the existing toilet does not have a supply shut-off valve below the tank, install one before installing the new toilet.

**注意:** 如果现有座便器的水箱下方没有止水阀，须在安装新座便器前装妥止水阀。

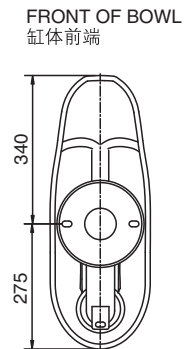
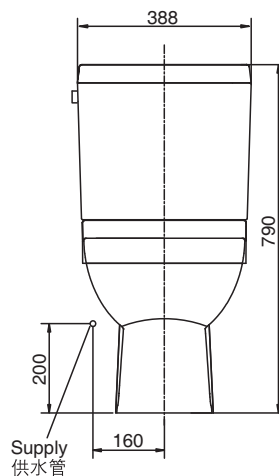
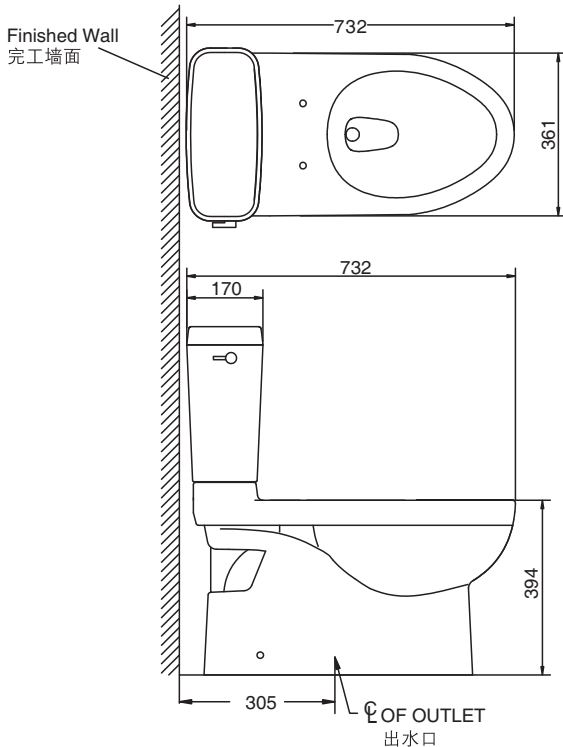
## ROUGHING-IN

## 尺寸图

Reference Value  
参考值

Unit: mm  
单位: 毫米

### K-P43834T-ZS



## K-P44073T-ZS

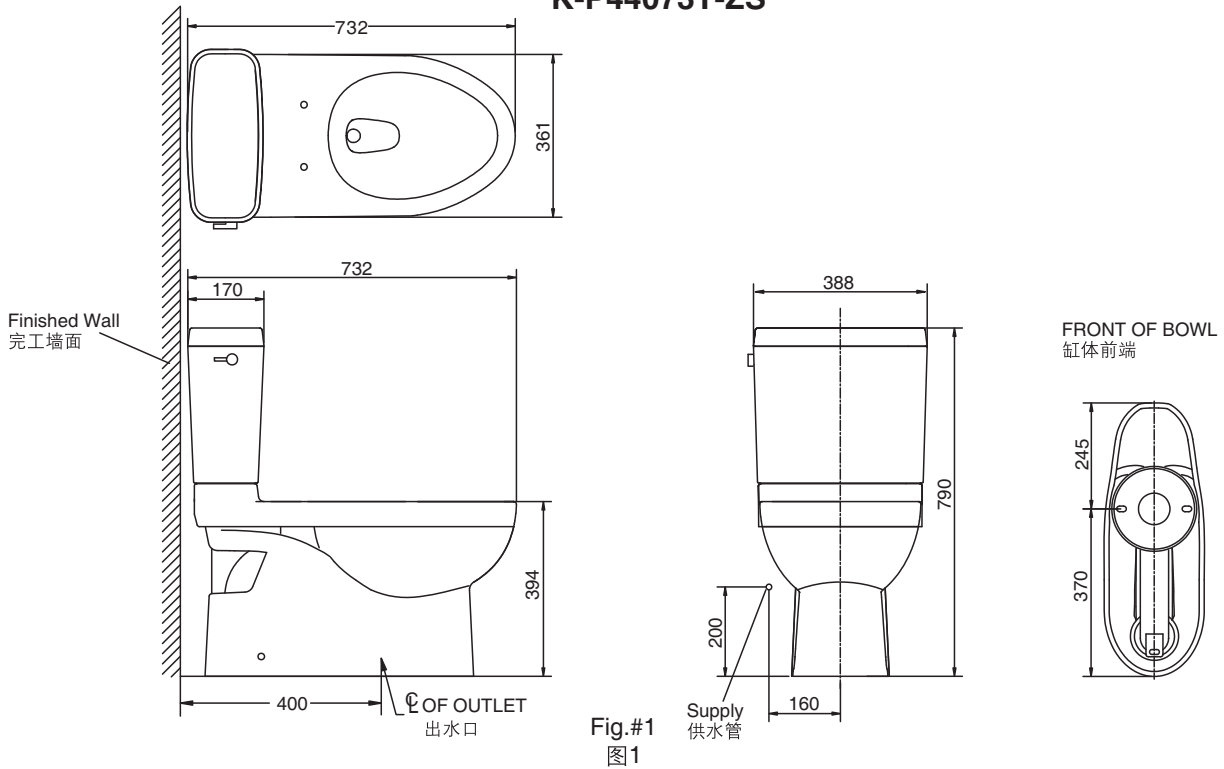


Fig.#1  
图1

Kohler reserves the right to change marked dimensions without prior notice.  
科勒公司保留随时变更图中标示尺寸的权利，无需另行通知。

## INSTALLATION

## 安装

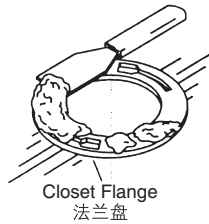
### TO REMOVE EXISTING TOILET

### 拆除旧座便器

Turn off the water supply. Flush the toilet, and use a sponge to remove the remaining water from the tank and bowl. Disconnect the supply shut-off valve (if present), and remove the old tank and bowl.

关掉供水源，给座便器冲水，用海绵吸去座便器内的剩余水份，除下供水管止水阀(如果有)，移开旧水箱和座便器。

Remove the old gasket from the floor and the closet flange with a putty knife. Remove the old T-bolts and discard them.



用涂油灰刀拆除地上的旧密封垫圈及座便器法兰盘，拆除及扔掉旧的T型螺栓。

**NOTICE:** if the new toilet is not installed immediately, temporarily stuff a rag into the closet flange.

Fig.#2  
图2

注意：如果不能即时安装新座便器，请用碎布暂将法兰盘堵住。

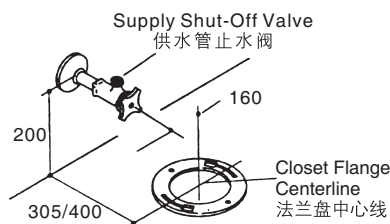
**NOTICE:** Do not use white cement or high lime content cements to install this toilet. The expansion of cement due to a rise in temperature may make the toilet crack or cause damage. Kohler is not responsible for any damage caused by installation with the use of cement.

注意：安装本座便器时切勿使用白水泥或高石灰含量之水泥，因水泥的热膨胀可能使座便器的脚部挤破或损坏。科勒对所有因水泥安装而引致的座便器破裂恕不负责。

### TO INSTALL SUPPLY SHUT-OFF VALVE

### 安装供水管止水阀

Install the supply shut-off valve so it is 200mm above the finished floor line, and 160mm to the left of the closet flange centerline.



安装厕所供水管止水阀，使之离地线200mm，也离法兰盘中心线左160mm。

The centerline of the supply shut-off valve outlet should extend 67mm from the finished wall. Install the supply shut-off valve with the outlet vertical.

供水管止水出口管应凸出完工墙67mm；安装止水阀应以出口管垂直为合。

Fig.#3  
图3

## TO INSTALL BOWL

Position the template and align with drain hole.  
Mark down the position of foot and 5 holes.  
Drill holes on ground with the drill of 10mm (3/8"), then insert anchor to holes.

**CAUTION:** Please make sure there is no water pipe or spool under the 5 holes to be drilled.  
Install brackets.

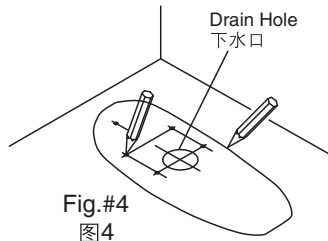


Fig.#4  
图4

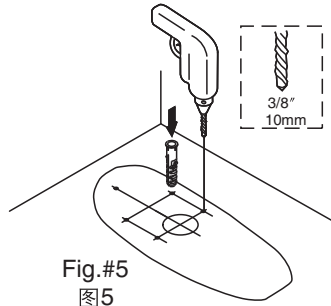


Fig.#5  
图5

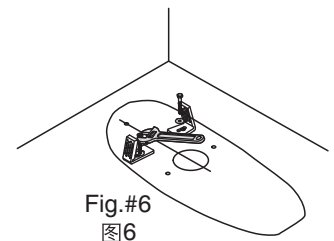


Fig.#6  
图6

Firmly press the toilet gasket onto the toilet outlet of plastic trap.

**NOTE 1:** Wax ring type toilet gasket should not be installed at temperatures less than 21°C.

**NOTE 2:** If you are using a toilet gasket with an integral plastic sleeve, make sure the gasket is positioned with the sleeve facing away from the toilet.

Install plastic to ground and mounted with 3 set of bolts (not supplied) firmly.

**NOTE:** Must use the toilet installation gasket ring (not supplied) to seal the area where the waste pipe contacts the construction section to avoid leakage.

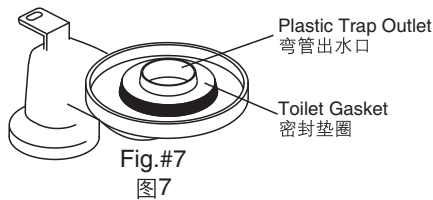


Fig.#7  
图7

## 安装座便器

将安装模版放置在地面上，并对齐下水口。  
划出脚部轮廓线及五个孔的位置。  
用10mm的钻头在地面上钻孔，然后插入螺栓套管。

**警告：**钻孔前请确保5个孔位下面无水管或者线管。

安装支架。

将密封垫圈紧套于弯管出水口。

**注意1：**如使用蜡封式密封垫圈，室温不应低于摄氏度21°C。

**注意2：**如所使用的密封垫圈附有内式塑料套，则此垫应朝外放置。

安装弯管于地面上，并用3组螺栓(不随货供应)上紧。

**注意：**必须用座便器安装密封圈(不随货供应)来密封排污管和安装面排污口的连接，防止漏水。

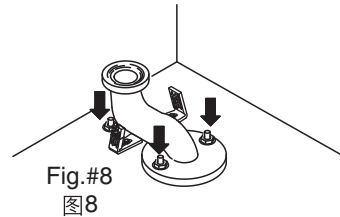


Fig.#8  
图8

## INSTALL THE TANK

Carefully turn the tank upside down onto a protected surface.  
Fit the rubber gasket over the flush valve nut.

Carefully position the tank on the bowl by centering the gasket on the bowl inlet. Line up the tank and bowl bolt holes.

**CAUTION: Risk of product damage.** Overtightening may cause breakage or chipping of the vitreous china.

Install the bolt gaskets onto the tank bolts, and slide the tank bolts down through the holes in the tank and bowl.  
Assemble the washers and nuts to the tank bolts. Securely tighten the nuts so the tank is level.  
Be sure the nuts are tight enough to achieve a watertight seal.

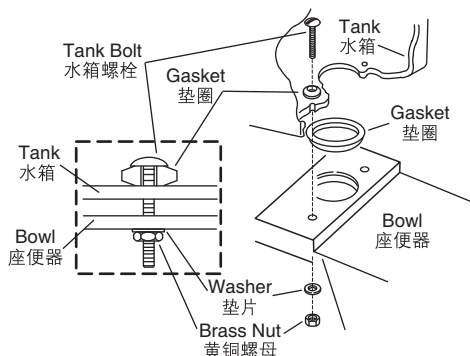


Fig.#9  
图9

## 安装水箱

小心地把水箱放置到保护表面上，把橡胶垫圈套到冲水阀螺母上。

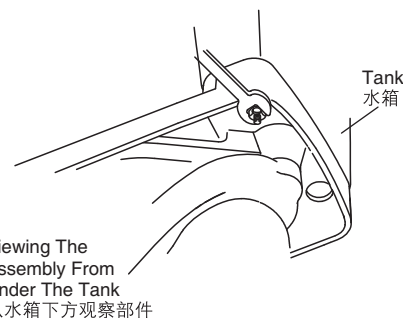
使垫圈对准座便器进口的中心，小心地把水箱安置在座便器上。水箱和座便器的螺栓孔在一条线上。

**警告：**小心产品损坏。过份拧紧可能导致产品破损或崩裂。

把垫圈装入水箱螺栓，螺栓向下滑通过水箱和座便器的孔。

将垫圈和螺母安装到螺栓上，安全地拧紧螺母，使水箱水平。

确保螺栓已经足够拧紧达到不漏水的密封效果。



Viewing The  
Assembly From  
Under The Tank  
从水箱下方观察部件

Carefully align and lower the bowl. Apply weight to the bowl rim to let the outlet insert into plastic trap.

Carefully thread the screws into the brackets, until toilet is secure. Alternately tighten left and right sides to prevent pulling the toilet off center. Install cap to cover screw.

**Do not overtighten.**

Apply caulk around base.

小心对准并将座便器向下放置。同时将座便器边缘向下压，以使排水口插入弯管中。为了要达到最佳的效果，请在安装时确定座便器是否水平。

小心的将螺丝旋入支架中直到座便器完全固定。左右交替旋紧以免座便器偏离中心。安装螺帽。

请勿过度旋紧。

在座便器底座周围打上硅胶。

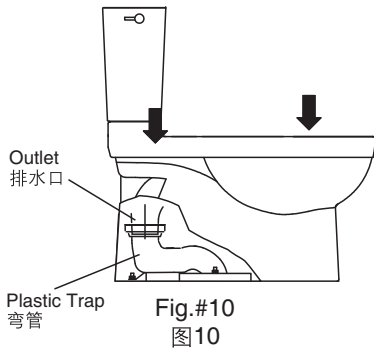


Fig.#10  
图10

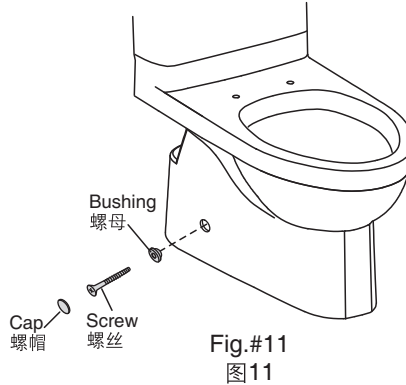


Fig.#11  
图11

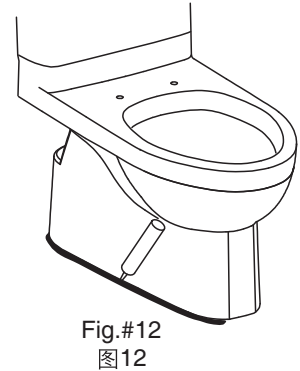


Fig.#12  
图12

## TO CONNECT WATER SUPPLY

\* Flexible hose (not provided) are recommended to connect the supply line to the fill valve. If you use a rigid connection(not provided), take care not to apply side forces to the bottom of the fill valve. Be sure the rigid connection must be fit with supply line completely to prevent damage shank by forced connection.

**IMPORTANT:** Before turning on the supply valve for the first time, follow the steps below to clear sand, debris and rust from the system:

Make sure water sure water supply is off. Remove valve END by rotating it 1/8 turn counterclockwise.

While holding a container over the uncapped VALVE to prevent splashing, turn water supply on and off a few times. Leave water supply off.

Replace END by engaging lugs and rotating 1/8 turn clockwise. **Make certain the top is turned to the locked position. Valve may not turn on if top is not fully in the locked position.**

Turn on water supply. Check that water level is at the marked water line.

Turn shut-off valve on and check for leaks. If connections are squarely assembled, a slight retightening of the nuts will stop any leaks.

If toilet is leaking in between the tank and bowl, carefully retighten the tank bolts evenly. Check all bowl and tank connections for leaks for several days.

Install the toilet seat according to the seat manufacturer's installation instructions.

1525571-T2-A

## 连接供水管止水阀

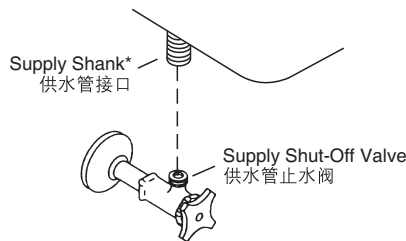


Fig.#13  
图13

我们建议使用软管(不随货供应)来连接供水管与座便器进水阀。如果您使用硬管(不随货供应)连接的话，连接时要注意不要在进水阀的底部施加横向压力，并注意硬管必须与供阀口完全吻合，以免强行连接日后会损坏接口。

注意：第一次打开供水阀之前，请按下列步骤清理阀门组件里的砂石、碎屑及铁锈：

关掉供水源，以逆时针方向旋转1/8圈，拆除阀帽。

用杯子盖好无遮盖的阀门组件以防溅水，然后反复开关水源数次，最后关掉水源。

重新盖上阀顶部份，顺时针旋转阀帽1/8圈上好，阀帽必须旋转至对准上锁的位置，否则可能无法打开注水阀。

打开水源，查核水位是否达到水位线。



Fig.#14  
图14

打开供水管止水阀检查所有接口有无渗漏情况，如果接口均安装妥当，将螺母略微旋紧即可防漏。

如果在水箱与座便器之出现渗漏，需再小心且均匀地旋紧水箱螺栓。安装后的几天内，应反复检查所有接驳处有否渗漏。

依照制造厂商的安装指示安装座厕盖板。

## FILL FLOAT WITH BALLAST

Test flush the toilet.

Periodically check all connections for leaks for several days following installation.

Set the tank cover in place on the tank.

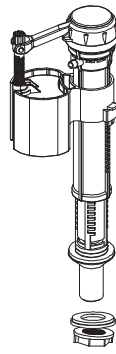


Fig.#15  
图15

## 注水以稳定浮球

测试冲水情况。

安装后的几天内，应反复检查所有接驳处有否渗漏。

盖水箱盖。

## MINOR ADJUSTMENT OF WATER LEVEL

Move the snap along "OPEN" direction.

**To lower water level:** Move water cup down to a proper height and rotate screw anticlockwise to achieve the desired water level. (Refer to float adjustment instructions.)

**To elevate water level:** Rotate screw clockwise and raise float to the desired water level. Elevate water cup to a proper position as well. (Refer to float adjustment instructions.)

## 水位微量调节

沿OPEN方向按出卡扣。

降低水位：下调止水杯到需求高度，逆时针旋转螺杆，使得浮桶下降到合适位置(参考浮桶调节注意事项)。

升高水位：顺时针旋转螺杆使得浮桶上升到需求高度，上调止水杯到合适位置(参考浮桶调节注意事项)。

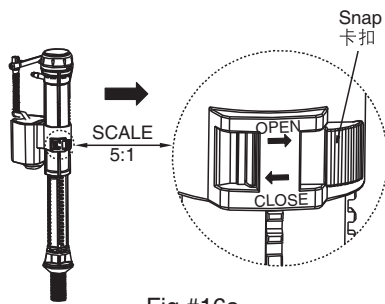


Fig.#16a  
图16a

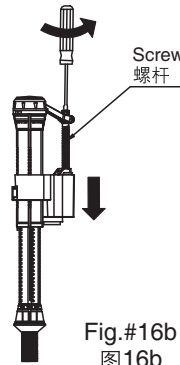


Fig.#16b  
图16b

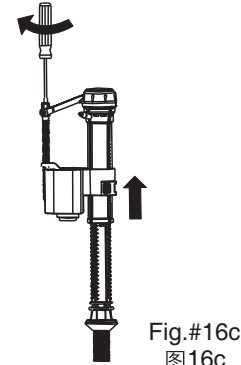


Fig.#16c  
图16c

Fasten the snap along "CLOSE" direction.

沿CLOSE方向扣紧卡扣。

**Float adjustment instructions:** Make sure the height of surface E is 2-4mm lower than surface G.

浮桶调节注意事项：调节螺杆时保证E面下沉于G面2-4mm。

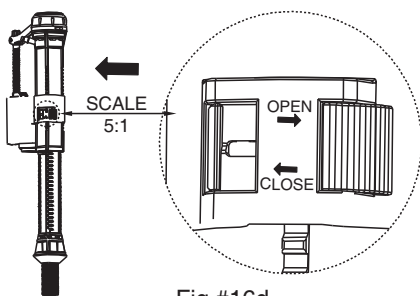


Fig.#16d  
图16d

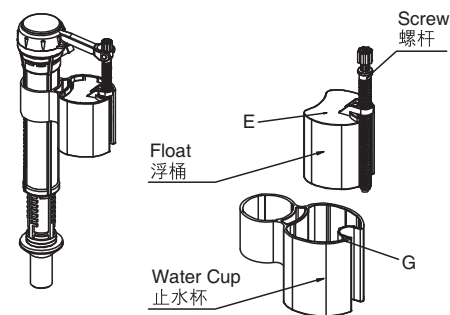


Fig.#16e  
图16e

## TROUBLESHOOTING CHART

SYMPTOMS	CORRECTIVE ACTION
1. Poor Flush	A. Adjust the tank water level to match the waterline. B. Fully open the water supply shut-off valve. C. Clear obstructions from the trapway, jet, or bowl rim holes. D. Clear obstructions from the waste line.
2. No Flush	A. Reconnect the chain to the trip lever or flush valve. B. Adjust the chain assembly to remove excessive slack.
3. The fill valve turns on/off by itself without the toilet being flushed, or it runs allowing water to enter the tank.	A. Adjust the chain for proper slack so the seal is not held off the flush valve seat. B. Clean or replace the seal if it is worn, dirty, or misaligned with the flush valve seat, or if the flush valve seat is damaged. Replace the flush valve seal or flush valve. C. Clean the fill valve seat/seat washer of debris, or replace the piston/seat washer assembly. D. Remove the tank and tighten the flush valve nut if flush valve gasket is leaking. Do not overtighten. If leakage continues, replace the gasket. E. Adjust the tank water level if it is too high.
4. Tank takes excessive time to fill.	A. Fully open the water supply shut-off valve. B. Clean the valve inlet, valve head, or supply line. Flush the lines.
5. There is excessive noise when the tank is filling.	A. Partially close the water supply shut-off valve if the water pressure to the toilet is too high. Check the toilet performance following any such adjustment. B. Remove dirt or obstructions from the valve head. Flush the lines.
<b>IMPORTANT:</b> Use only genuine Kohler parts as shown to avoid property damage.	

## 故障处理表

现象	处理措施
1. 冲水效果不佳。	A. 调节水箱水位至水位线。 B. 完全开启供水管止水阀。 C. 清除存水弯，喷头和缸体冲水孔内的堵塞物。 D. 清除污水管内的堵塞物。
2. 无冲水。	A. 重新连接冲水链至冲水把手或冲水阀。 B. 调节冲水链组件防止过松。
3. 未注水时注水阀自行开/关，或注水阀运转不停，水箱注水不停。	A. 调节冲水链至适当松紧度使垫圈不离开冲水阀座。 B. 如果垫圈磨损，变脏或未对准冲水阀座，或者冲水阀破损时，更换冲水阀密封圈或冲水阀。 C. 清除注水阀座以及垫圈阀座中的脏物，或更换活塞/阀座垫圈组件。 D. 如果冲水阀垫圈漏水，则拆下冲水阀座，清洗阀座和垫圈后，重新安装。如仍发生漏水现象，则更换垫圈。 E. 如果水箱水位太高，则相应作出调整。
4. 水箱注水需时过长。	A. 完全开启供水管止水阀。 B. 清洁注水阀进水口，阀帽或供水管。冲洗供水管。
5. 水箱注水时噪音过大。	A. 如果座便器内水压过高，则关小供水管止水阀。做过此类调节后，检查座便器的使用状况。 B. 清除阀帽内的脏物或堵塞物。冲洗供水管。
<b>重要：</b> 仅可使用图中所示的科勒公司原装配件以防产品损坏。	

## IMPORTANT CONSUMER INFORMATION 用户须知

### CONSUMER RESPONSIBILITIES

If you live in a hard water area, make certain that the holes in the toilet rim are kept clean to ensure proper bowl flushing. Toilet bowl cleaners should be used at least once a week. Use a long-handled brush to clean the rim holes, and to clean as far into the trap as possible to prevent mineral deposits from forming.

Most toilet bowl cleaners are not harmful to the vitreous china surface of the toilet bowl. Please follow the bowl cleaner manufacturer's instructions carefully.

Do not use abrasive cleaners or solvents.



**WARNING: Risk of property or product damage.** Do not use in-tank cleaners. Products containing chlorine (calcium hypochlorite) can seriously damage fittings in the tank. This damage can cause leakage and property damage.

Kohler Company shall not be responsible or liable for any damage to these tank fittings caused by the use of cleaners containing chlorine (calcium hypochlorite).



**CAUTION: Don't use any cement while installing the toilet.** Heat expansion of the toilet may damage the feet of the toilet. Kohler will not be responsible for any damage because of using cement.



**WARNING: Risk of product damage.** Do not throw into the toilet what is easy to block it, such as newspaper, paper pilch, sanitary towel. Do not bump the vitreous china with great force to prevent it from damaging and leaking. Do not use the product in the water below 0°C.



**CAUTION:** Please do not use hard materials (like scouring pad) to clean product surface, especially the product logo.

### 用户责任

如果你居住地方的水质是硬性，你必须保持冲水孔清洁，令座便器冲水正常。每星期应最少使用座便器清洁剂清洁一次，用长把手的刷子清洁冲水孔，并尽量伸入排污管洗刷，防止矿物质积聚。

大多数马桶清洁剂对座便器表面是无害的。请认真遵循马桶清洁剂制造商的指示来操作。

请勿使用腐蚀性清洁剂或溶剂。



**警告：**提防楼宇受损或损坏产品。请勿使用水箱内用清洁剂。含氯（次氯酸钙）的清洁剂会严重破坏水箱配件，从而引起渗漏，或对楼宇结构造成损坏。

科勒公司对此类因使用氯(次氯酸钙)而引致的水箱装置损毁，概不负责。



**警告：**在安装本座便器时切勿使用任何水泥。因为水泥的热膨胀可能使座便器的脚部挤破或损坏。科勒对所有因为水泥安装而引起的座便器破裂恕不负责。



**警告：**提防损坏产品。请不要向便器内冲入新闻纸、纸尿垫、妇用卫生巾等容易堵塞的物品。请不要用重力撞击陶瓷，以防止破损漏水。

不要在0°C以下的水环境中使用。



**警告：**请勿使用钢丝球等硬质材料擦洗产品表面，特别是产品商标处。